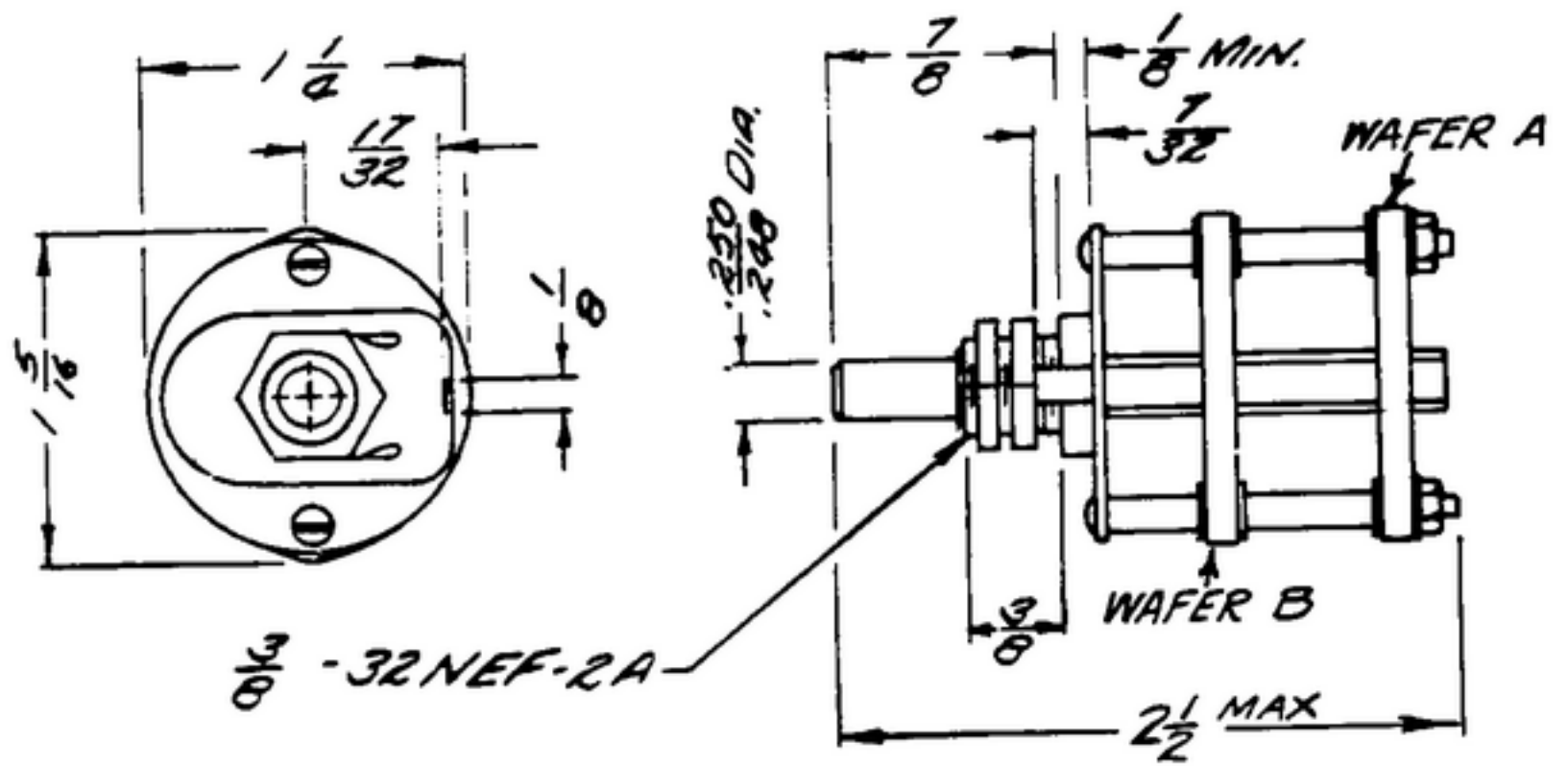


NOTICE: WHEN GOVERNMENT DRAWINGS, SPECIFICATIONS, OR OTHER DATA ARE USED FOR ANY PURPOSE OTHER THAN IN CONNECTION WITH A DEFINITELY RELATED GOVERNMENT PROCUREMENT OPERATION, THE UNITED STATES GOVERNMENT THEREBY INCURS NO RESPONSIBILITY FOR ANY OBLIGATION WHATSOEVER; AND THE FACT THAT THE GOVERNMENT MAY HAVE FORMULATED, FURNISHED, OR IN ANY WAY SUPPLIED THE SAID DRAWINGS, SPECIFICATIONS, OR OTHER DATA IS NOT TO BE REGARDED BY IMPLICATION OR OTHERWISE AS IN ANY MANNER LICENSING THE HOLDER OR ANY OTHER PERSON OR CORPORATION, OR CONVEYING ANY RIGHTS OR PERMISSION TO MANUFACTURE, USE, OR SELL ANY PATENTED INVENTION THAT MAY IN ANY WAY BE RELATED THERETO.

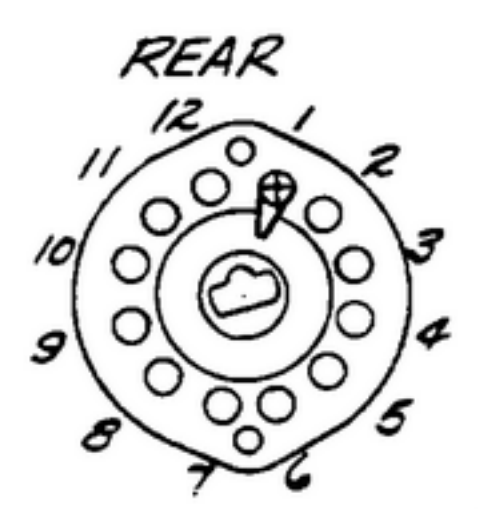
THIS DOCUMENT HAS BEEN PURCHASED BY THE GOVERNMENT AND MAY BE REPRODUCED AND USED IN CONNECTION WITH ANY GOVERNMENT PROCUREMENT OR MAINTENANCE OPERATION.

*FOR INFORMATION ONLY. CONTRACTOR MAY AT HIS OPTION DEVIATE FROM THESE PROCESS DETAILS.

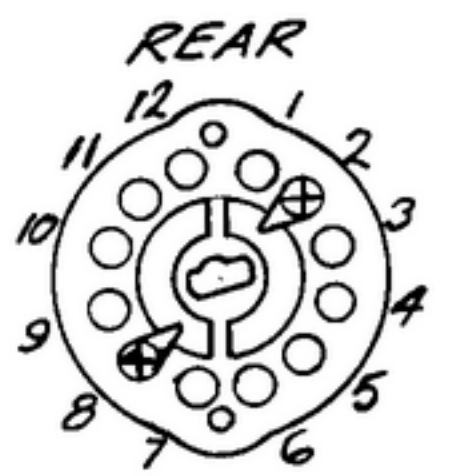
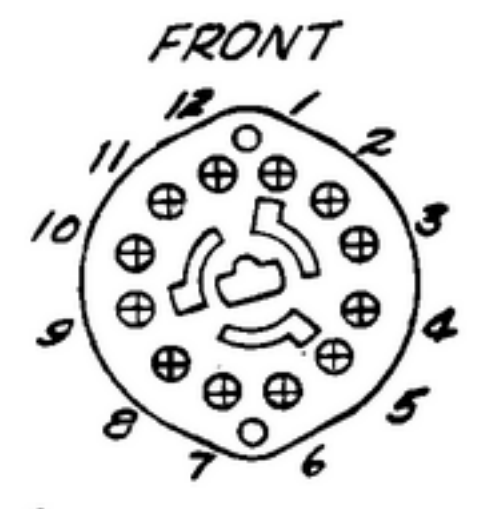
ORIG. ISSUE A		REVISIONS		16 AUG 56	
SYM	DESCRIPTION	DATE	APPROVAL		
B ₁	(1) WAS SINGLE DECK, 3 POLE, 2 POSITION SWITCH	22 MAY 64	REV'D. 6EB J.H.R		



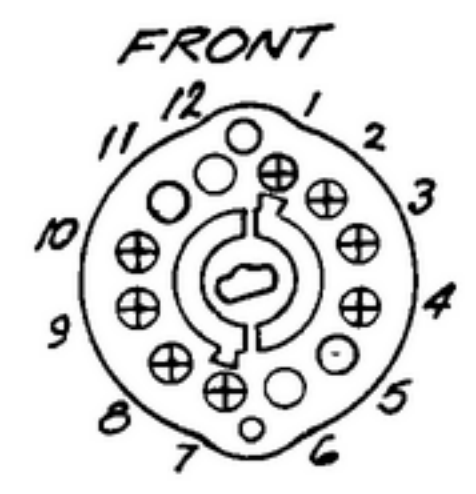
KEY TO SYMBOLS
 ⊕ SHORT CLIP
 ⊕ LONG CLIP
 ○ NO CLIP



WAFER A



WAFER B



1. PART MAY BE TYPE F AS SUPPLIED BY OAK MFG. CO CHICAGO, ILL. OR EQUAL.
2. SWITCH SHALL BE 5 CIRCUIT (5 POLE), 4 POSITION, WITH 30° DETENT AND STOPS LIMITING ROTATION TO 4 POSITIONS, NON SHORTING TYPE.
3. ALL THREADS PER HANDBOOK H-28.

		UNLESS OTHERWISE SPECIFIED
		DIMENSIONS ARE IN INCHES
		TOLERANCES ON
		FRACTIONS DECIMALS ANGLES
		+ 1/64
	SC-GL-57758	
	SM-D-31959 SC-6L-57655	
NEXT ASSY	USED ON	
APPLICATION		

QTY	ISS	PART NO.	DESCRIPTION	MATL.	FINISHED SIZE	SH'T	NOTE
LIST OF MATERIAL							
			SWITCH				
			FOR POWER SUPPLY FOR INTERCHANGEABILITY GAGE FOR R-390A/URR & R-392/URR				
			REVIEWED XXX				
			APPROVED				
			DATE 6 SEPT 56				
			SCALE 1/1				
			DEPARTMENT OF THE ARMY SIGNAL CORPS ENGINEERING LABORATORIES				
			PORT MONMOUTH NEW JERSEY				
			SM-B-31964				

WHEN REFERRING TO THIS DRAWING STATE DRAWING NO., APPLICABLE ISSUE SYMBOL, IF ANY, AND DATE.